

LEGEND

EXISTING FOUL — FS-EX — FS-EX

DRAINAGE LEGEND

PROPOSED FOUL F1-0 @ F1.000

PROPOSED SURFACE WATER S1-0 @ S1.000

EXISTING 01650 SURFACE WATER CULVERT

PROPOSED EXTENSION TO EXISTING 01650 SURFACE WATER CULVERT

PROPOSED NEW 01650mm CULVERT CONVEYANCE LINE

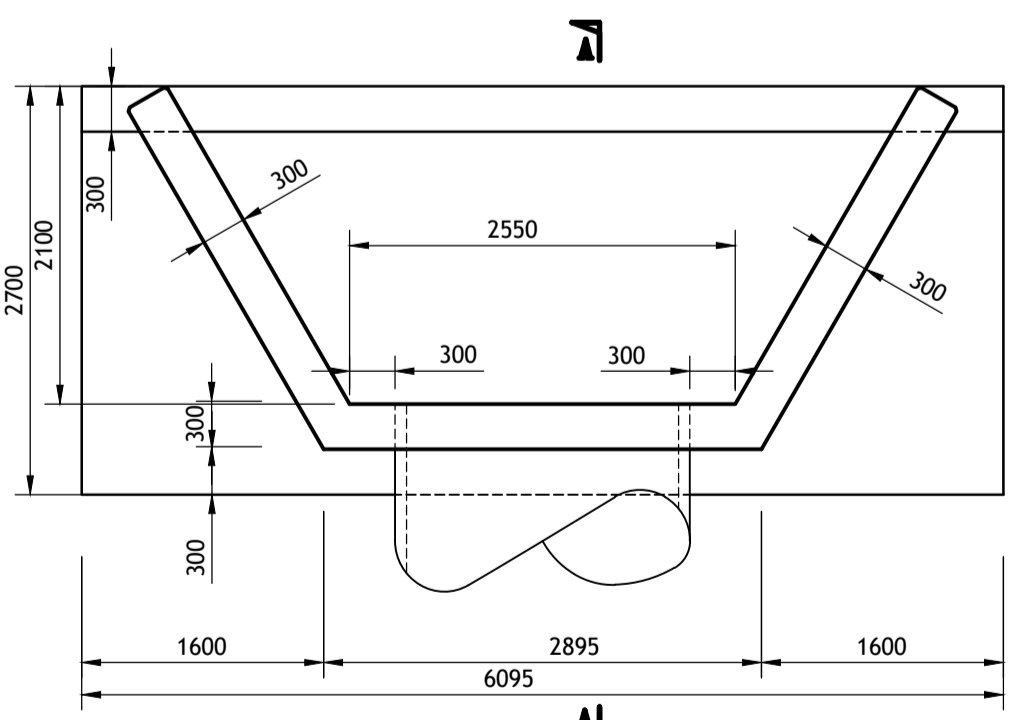
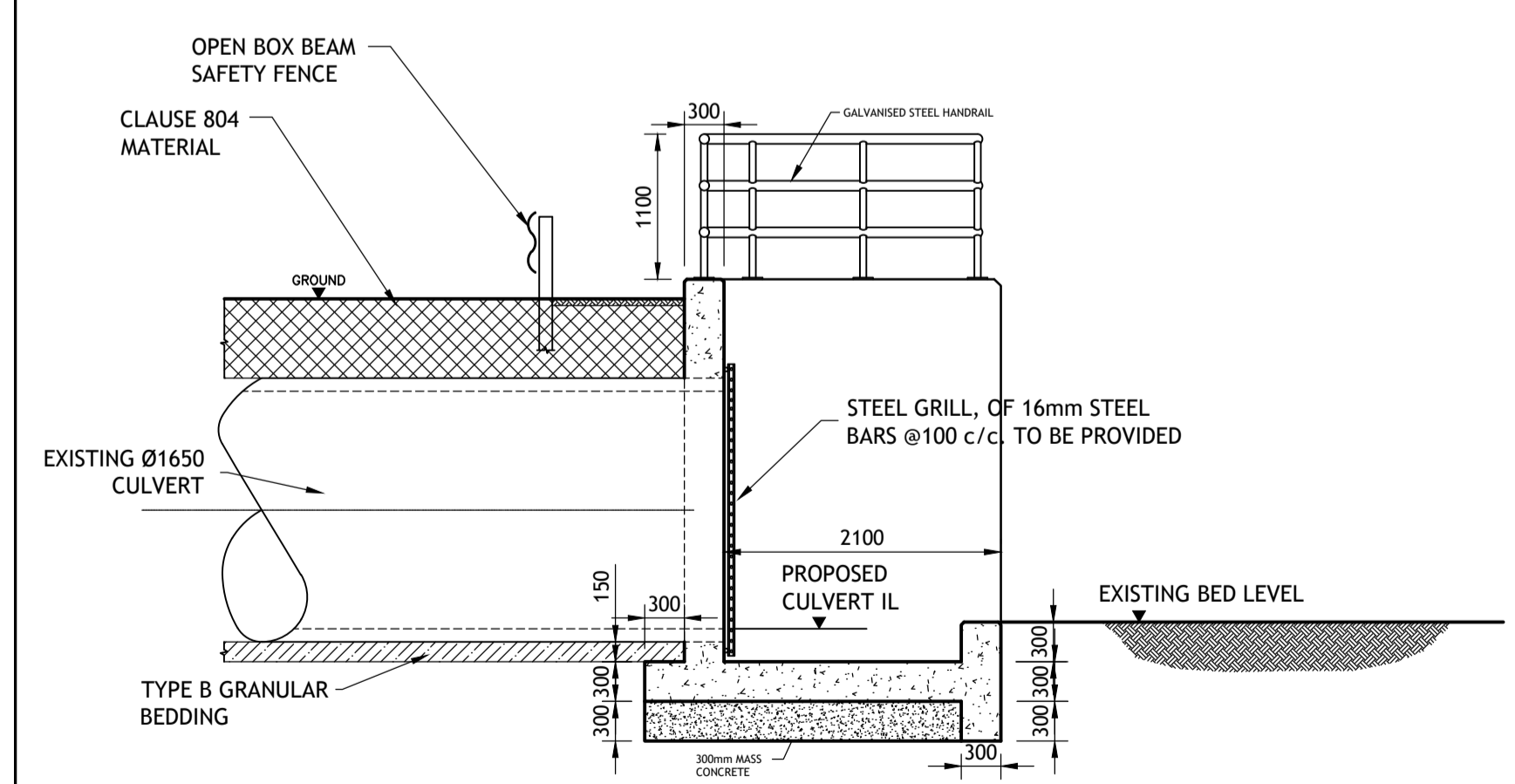
LEGEND:

EXISTING 33" WATERMAIN (LAYOUT BASED ON SURVEY BY COASWAY SURVEYS DRAWINGS NO. 1889-001 F TO H, SURVEY DATED 16/10/2019)

EXISTING 33" WATERMAIN (RECORD DRAWINGS SHOWN THUS)

16.825 METRE WAYLEAVE CENTRED ON EXISTING 33" TRUNK WATERMAIN

SITE PLAN
SCALE 1:1000



HEAD WALL SECTION A-A
SCALE 1:50

HEAD WALL PLAN
SCALE 1:50

Ordnance Survey Ireland Licence No EN 0003720
© Ordnance Survey Ireland/Government of Ireland

© PUNCH Consulting Engineers
This drawing and any design hereon is the copyright of the Consultants and must not be reproduced without their written consent. All drawings remain the property of the Consultants. Figured dimension only to be taken from this drawing. Consultants to be informed immediately of any discrepancies before work proceeds.

Date Drawn: 2018-12-20
Drawn By: IBS
Date Issued: 2021-03-01
Issued By: IBS

Rev	Amendment	By	Date
PL0	PLANNING ISSUE	IBS	2022/03/28

Client: 1 CARRICKMINES LAND LTD.

Job: PRIORSLAND CHERRYWOOD SHD
Title: PROPOSED EXTENSION TO EXISTING SURFACE WATER CULVERT - INTERIM PROPOSALS (SECTION 7.2.2)

Dublin | Limerick | Cork | Galway | Glasgow
 Carnegie House, Library Road, Dun Laoghaire, Co. Dublin, A96 C7W7
 IRL: +353 1 271 2200 www.punchconsulting.com

Stage: PLANNING
 Scale @ A1: AS NOTED
 Technician Check: IBS
 Engineer Check: MCD
 Approved:
 Drawing No: 182-186-060
 Rev: PL0